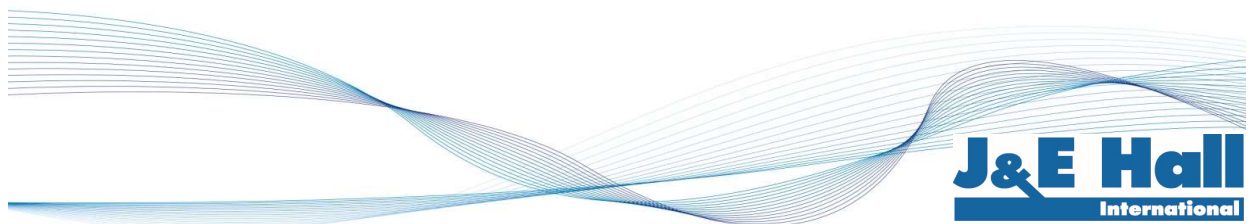


# Hallscrew Replacement Parts List

HSO4225 / 4226 / 4227 Fixed and Variable Volume Ratio

Open drive single screw compressors

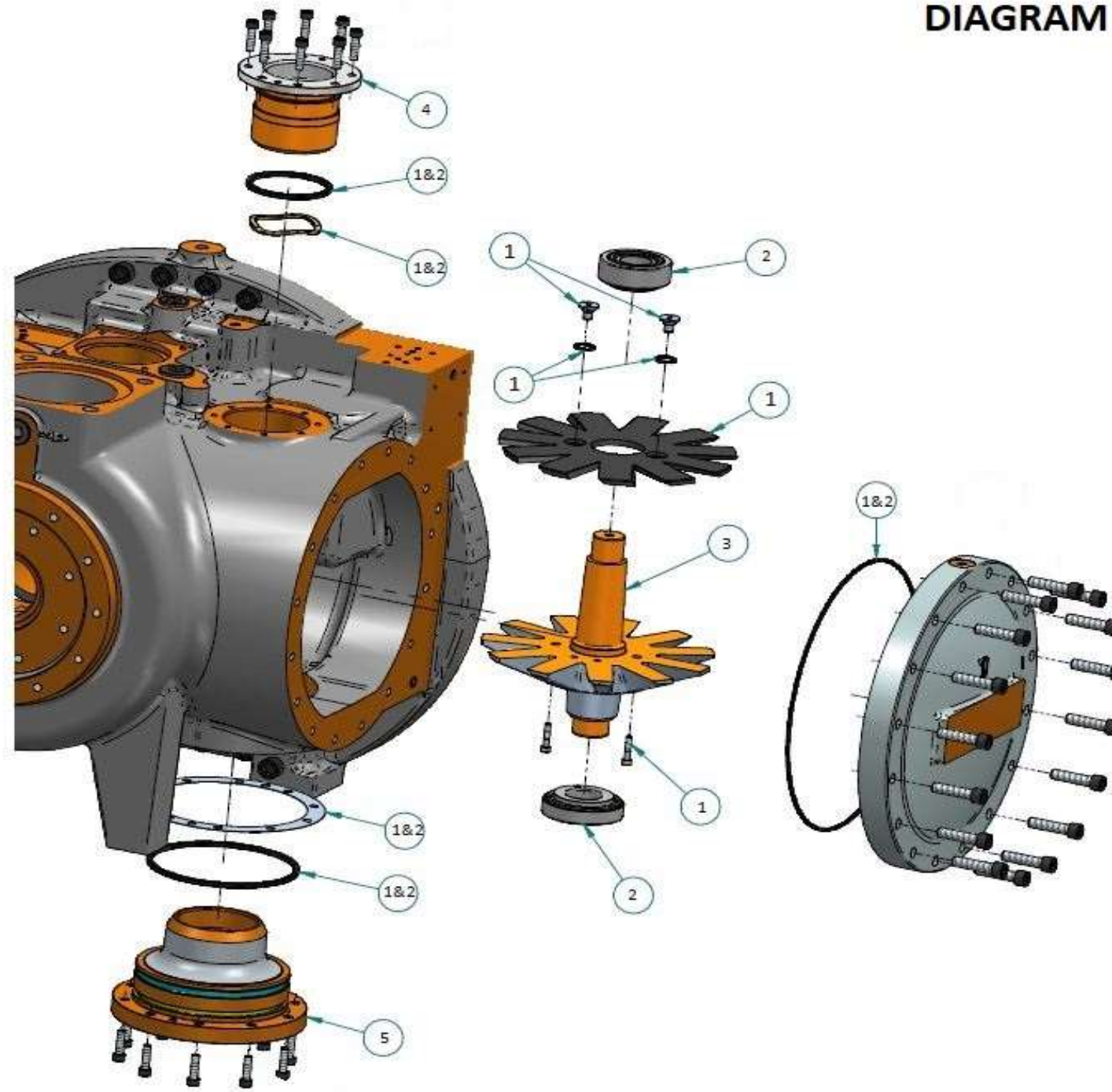
Issue 2 - January 2020



# HSO4225 / 4226 / 4227 Spare Parts List

## Open Drive Compressors

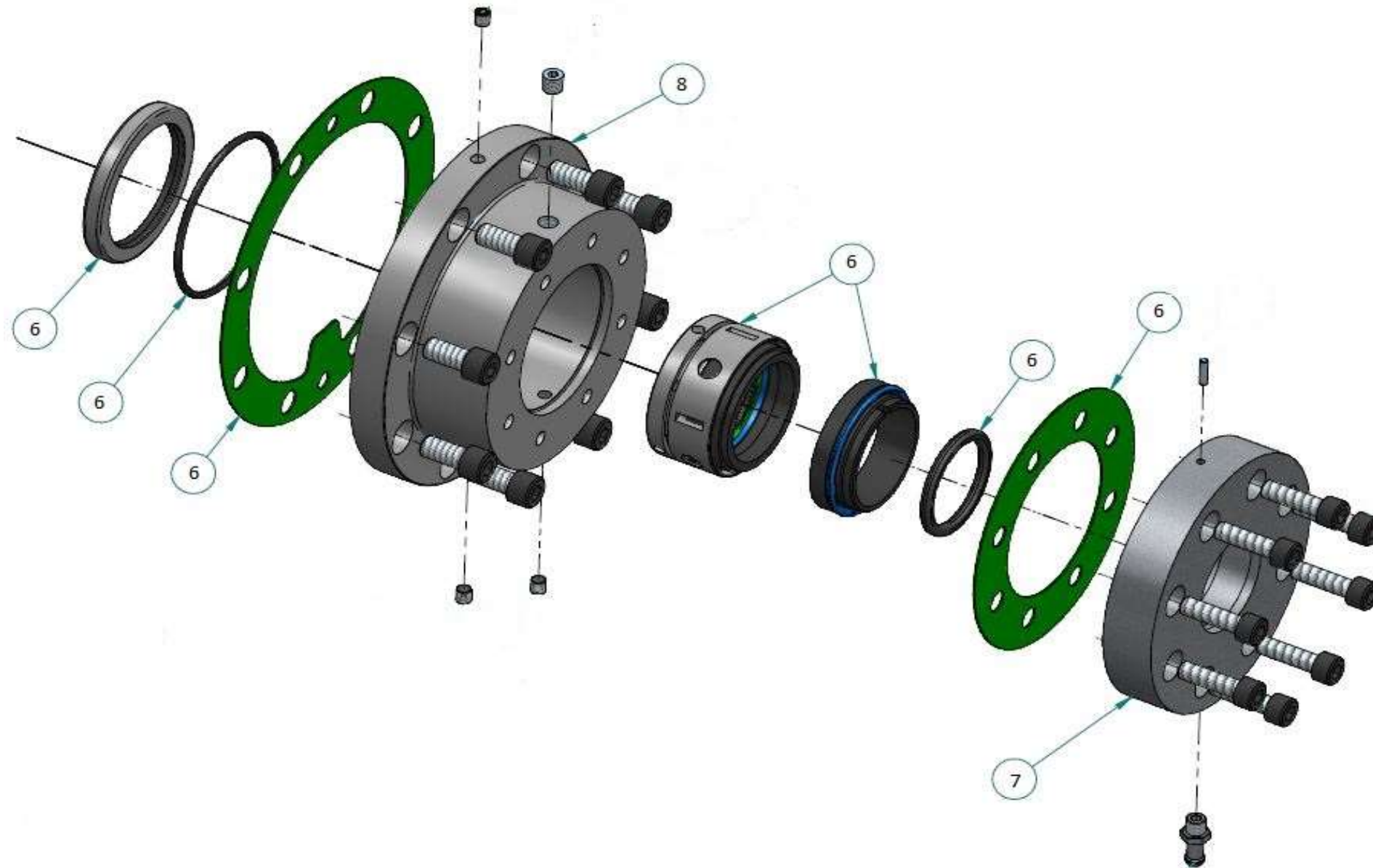
DIAGRAM A



# HSO4225 / 4226 / 4227 Spare Parts List

## Open Drive Compressors

DIAGRAM B



# HSO4225 / 4226 / 4227 Spare Parts List

## Open Drive Compressors

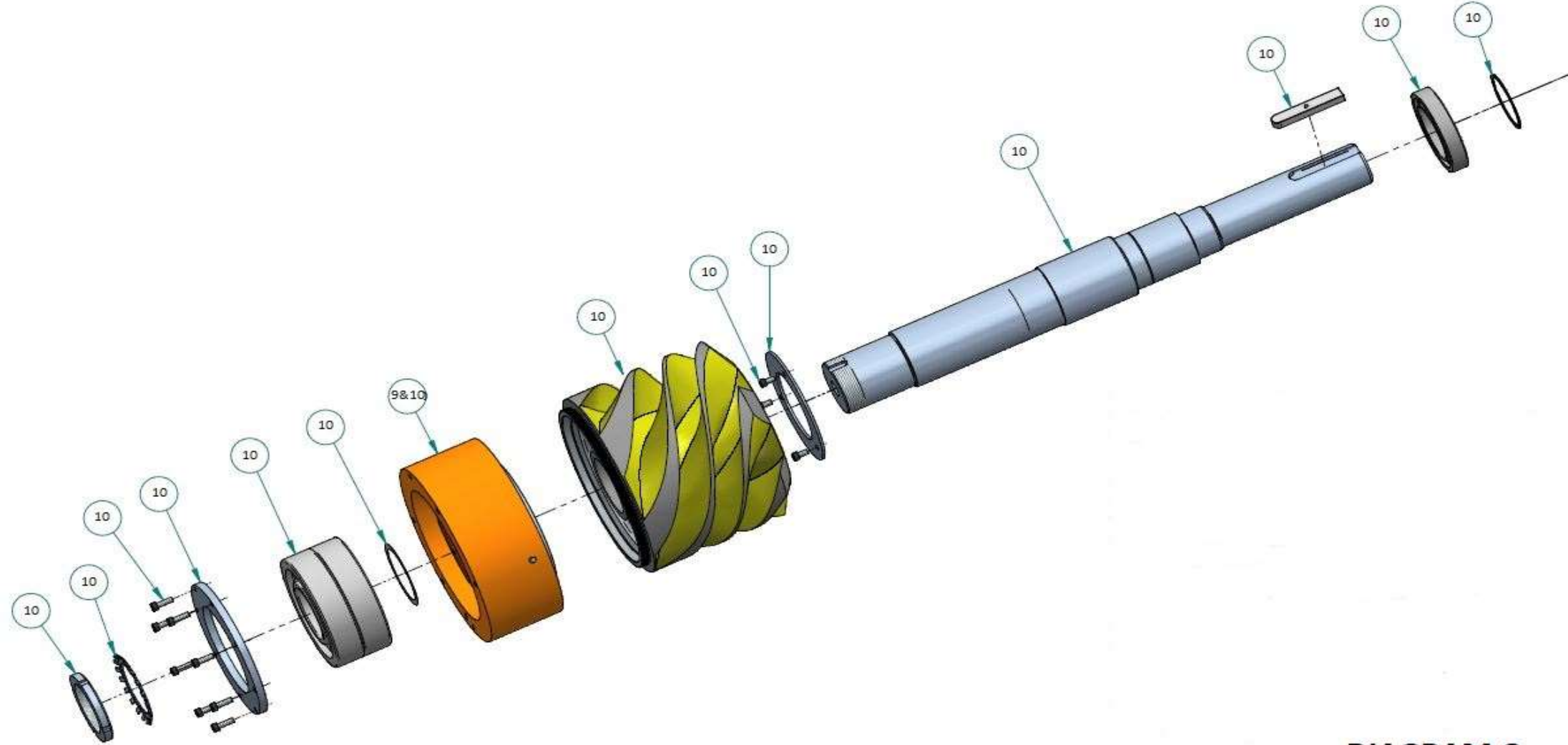


DIAGRAM C



# HSO4225 / 4226 / 4227 Spare Parts List

## Open Drive Compressors

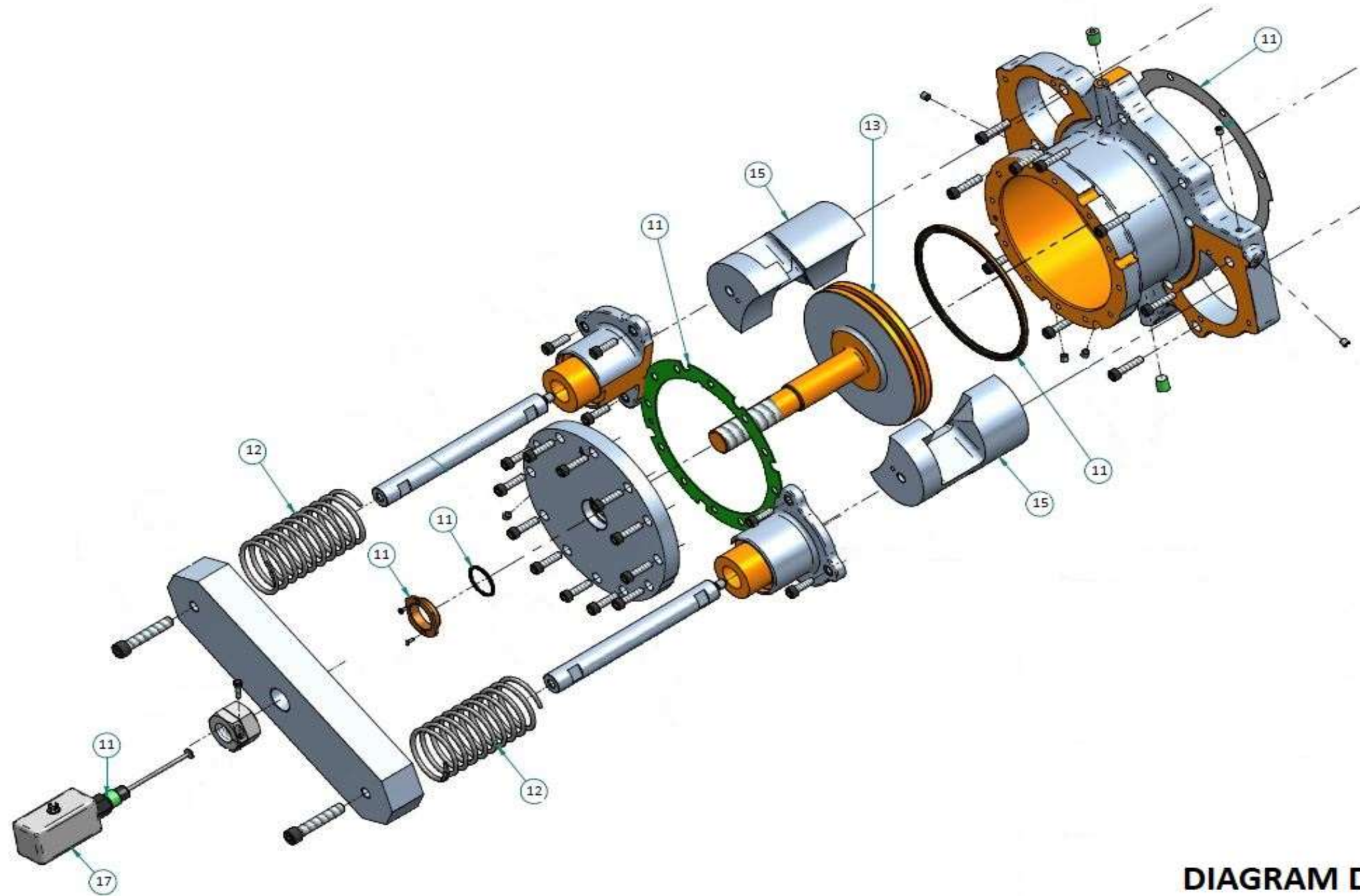


DIAGRAM D

# HSO4225 / 4226 / 4227 Spare Parts List

## Open Drive Compressors

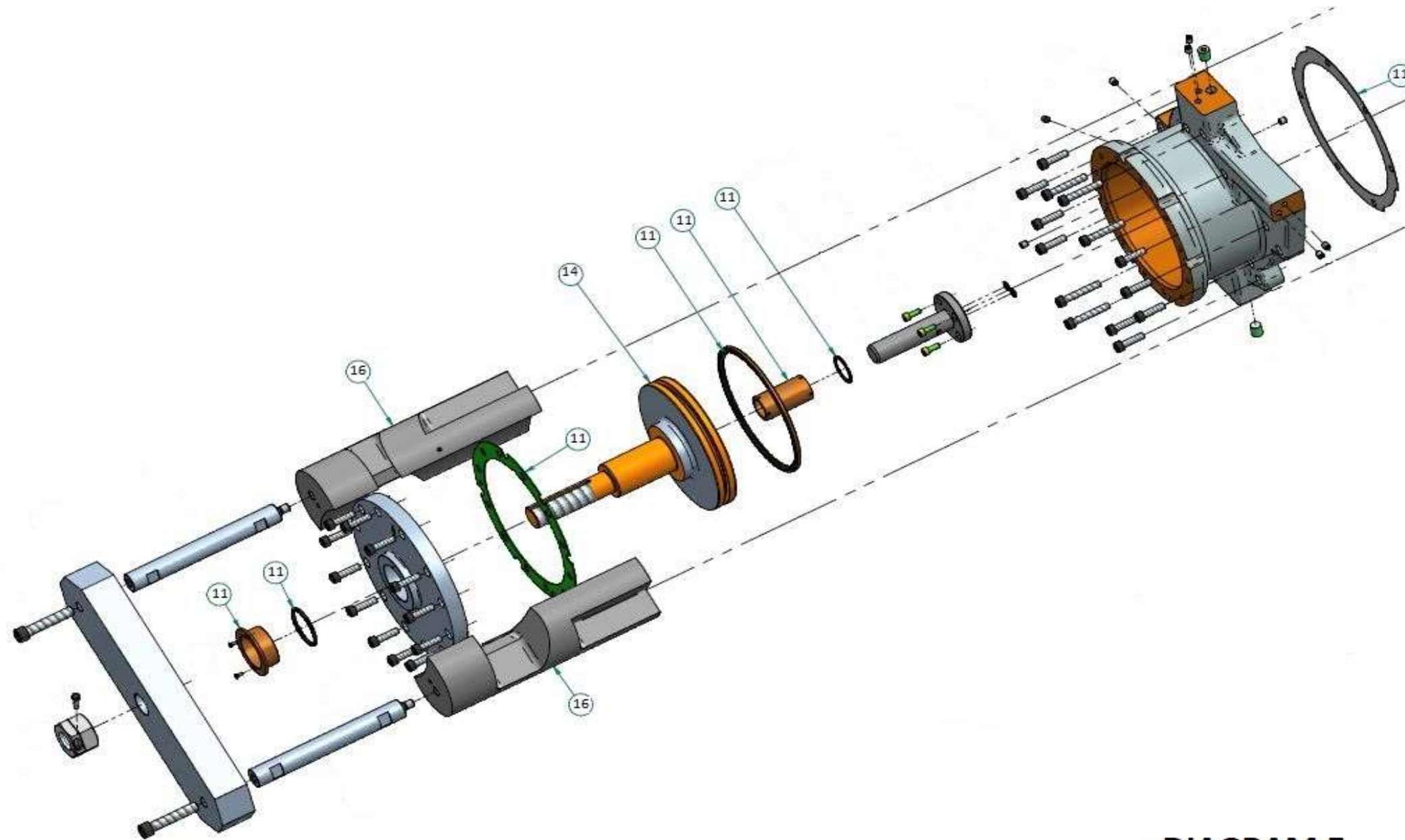


DIAGRAM E



DIAGRAM F

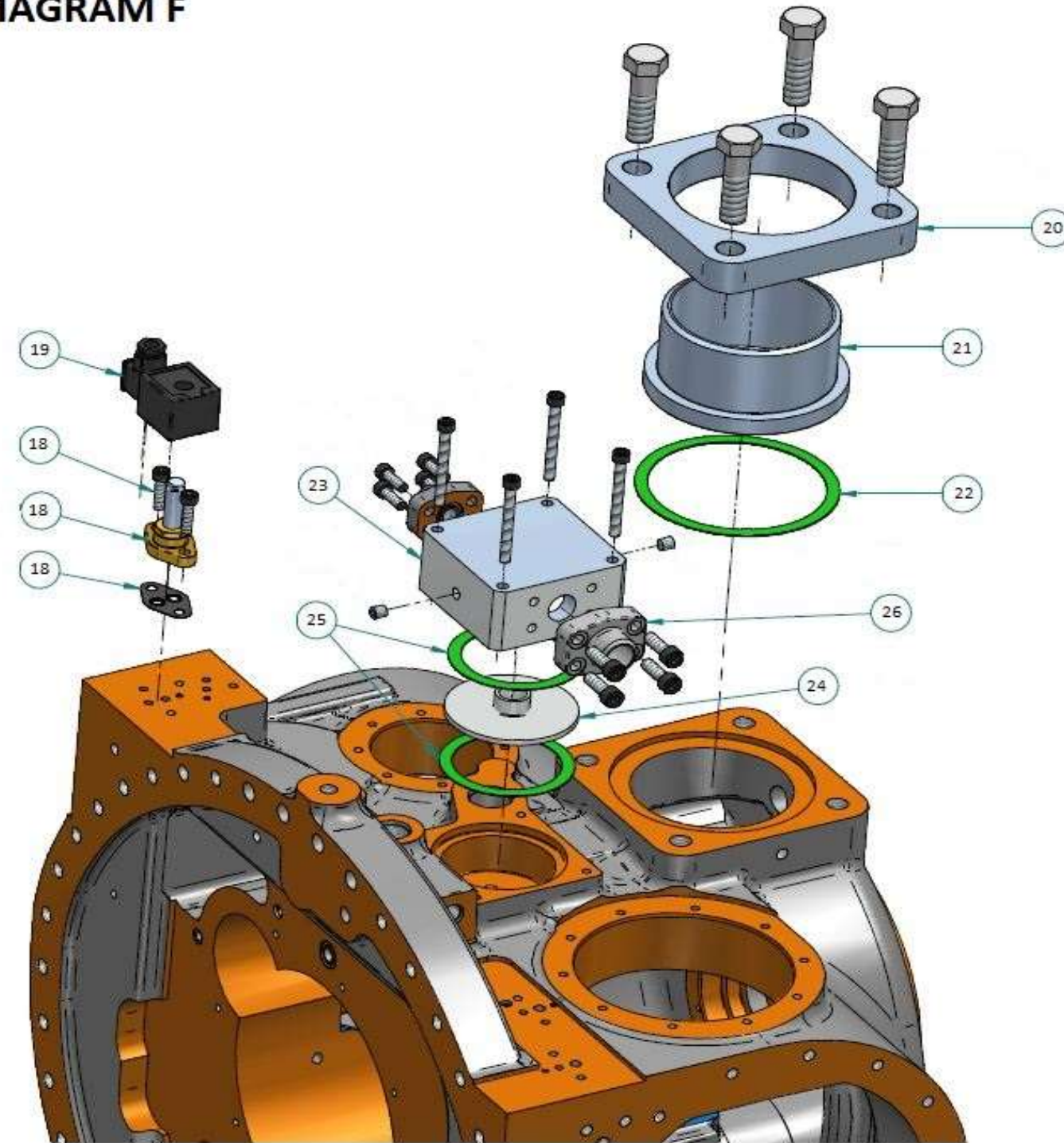


DIAGRAM G

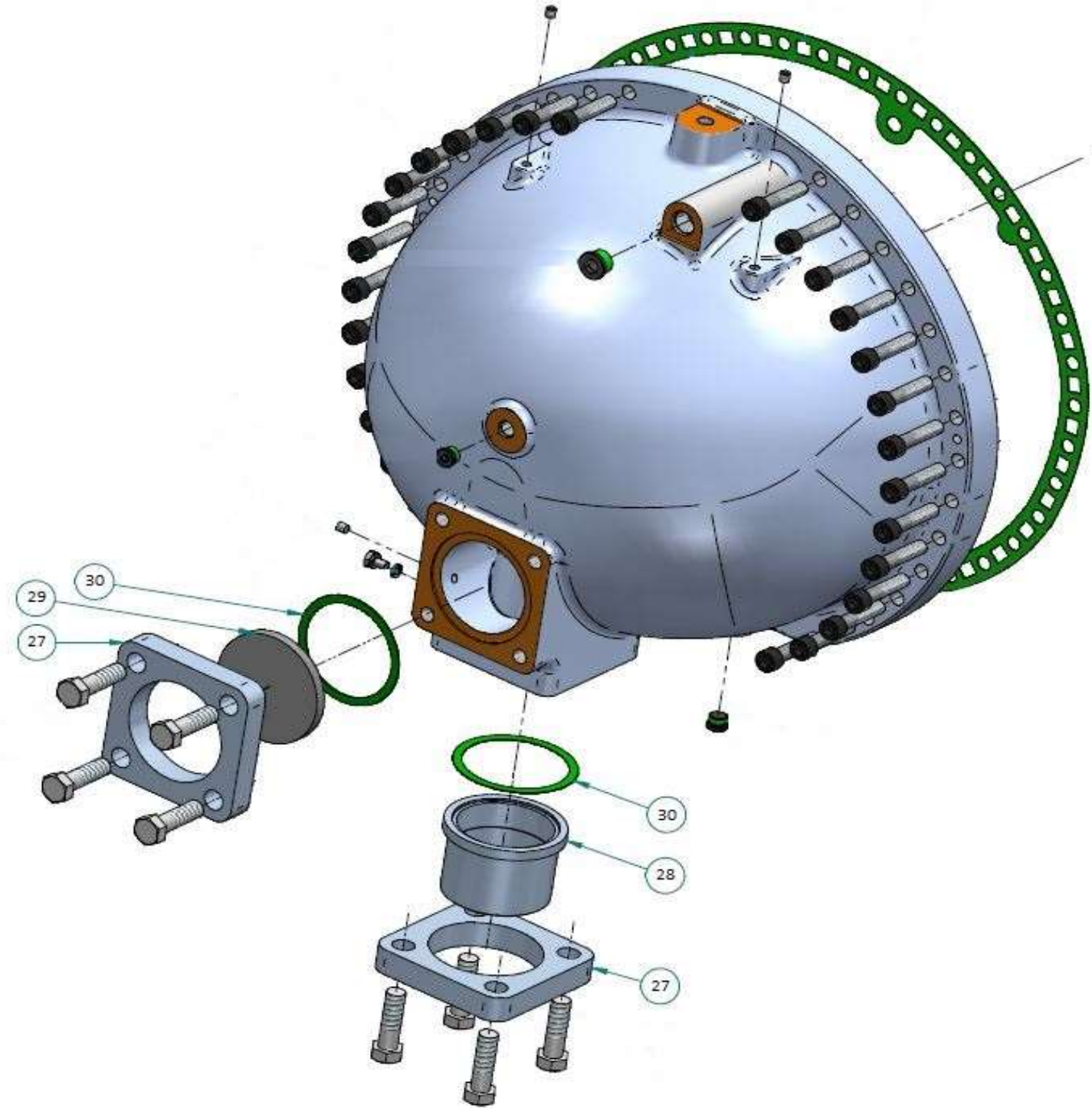
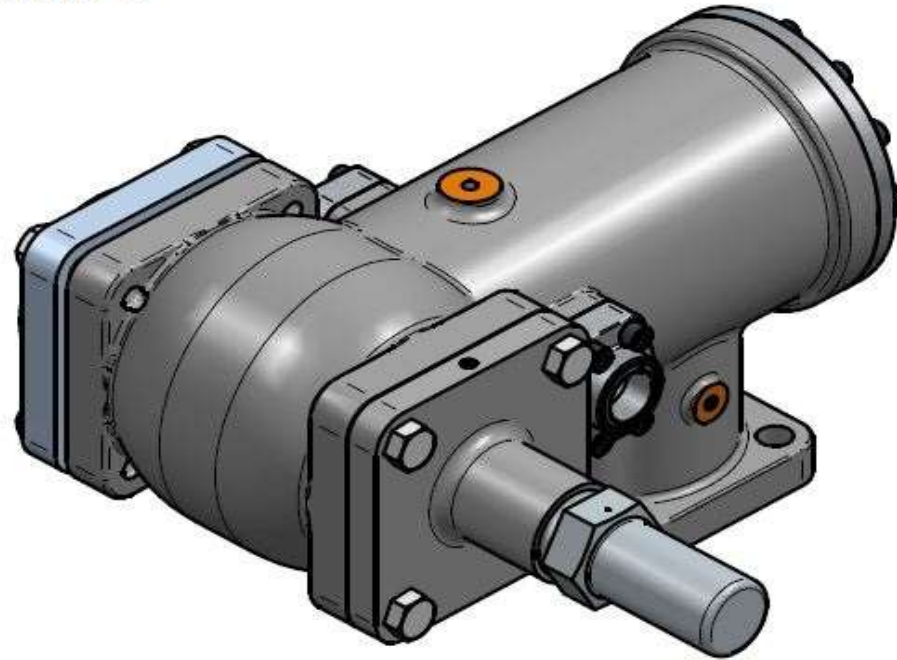
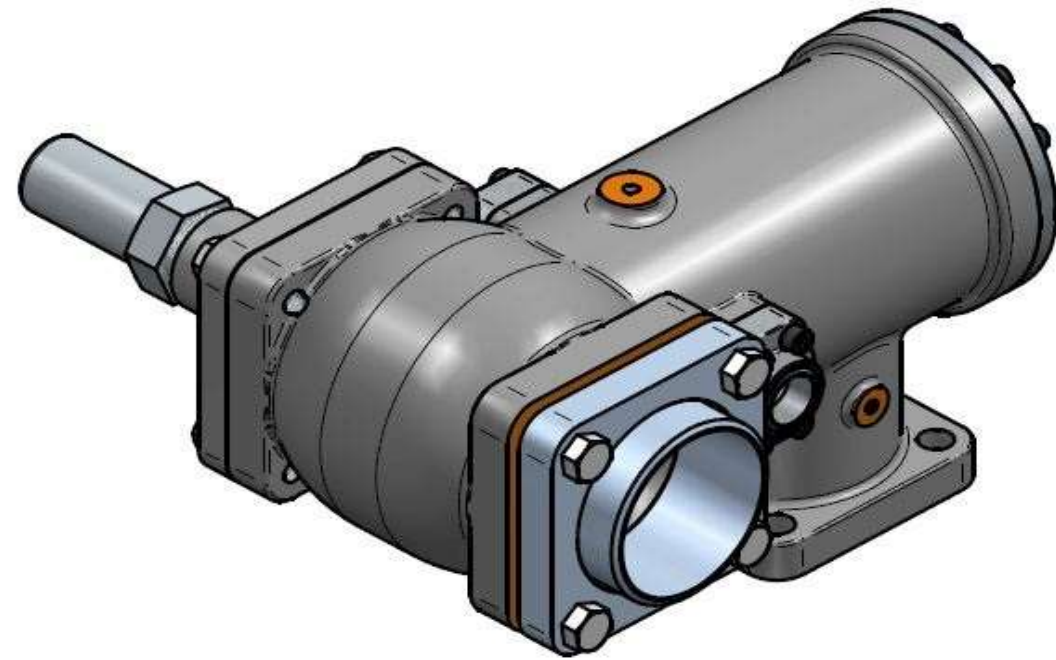




DIAGRAM H



HAND "A"



HAND "B"

5" STOP/CHECK VALVE WITH STRAINER

<b>F4A</b> <b>Issue 2</b> <b>Page 9</b>					<b>HSO4225 / 4226 / 4227 Spare Parts List</b> <b>Open Drive Compressors</b>			Quantity for each compressor		
								Open Drive		
Item	Diagram	Description	Part Number	Old Part Number	4225 (F4AM)	4226 (F4AL)	4227 (F4AXL)			
<b>Stars</b>										
1	A	Hallplas Star Kit (Supplied as 1 pair of stars)	N02280070	-	1					
1	A	Hallplas Star Kit (Supplied as 1 pair of stars)	N02280071	-		1				
1	A	Hallplas Star Kit (Supplied as 1 pair of stars)	N02280072	-			1			
2	A	Star Bearing Kit (Top and Bottom Bearings)	N02050224	-	1	1	1			
3	A	Star Shaft Rotor & Backing	N02840019	332113804	2					
3	A	Star Shaft Rotor & Backing	N02840018	332113803		2	2			
4	A	Star Bearing Housing - Small*	N02500038	236257901	2	2	2			
4	A	Star Bearing Housing - Large*	N02500037	236164101	2	2	2			
<i>* Small housing goes on the top on one side but the bottom on the other (the same goes for the large ones as well)</i>										
<b>Main Rotor &amp; Shaft Assy</b>										
6	B	Gland Seal Kit (include Gaskets and O-rings)	N02020228	-	1	1	1			
7	B	Gland Seal Cover Plate	N02420014	236251101	1	1	1			
8	B	Gland Seal Housing	N02420013	236253201	1	1	1			
N/A	N/A	Main Bearing Kit (incs bearings, gaskets, shims & O-rings)	N02050237	-	1	1	1			
9	C	Bearing Housing	N02500039	332111801	1	1				
9	C	Bearing Housing	N02500040	332132401			1			
10	C	Main Rotor/Shaft Assy	N02240080	ST020215	1					
10	C	Main Rotor/Shaft Assy	N02240081	ST020216		1				
10	C	Main Rotor/Shaft Assy	N02240082	ST020217			1			
<b>Capacity Control</b>										
11	D	Piston Ring (Glyd Ring) Set - for Standard VR Control	N02630092	-	1	1	1			
11	E	Piston Ring (Glyd Ring) Set - for VVR Control	N02630093	-	1	1	1			
12	D	Capacity Control Piston Spring (Standard VR Control Only)	N02630091	332104201	2	2	2			
13	D	Capacity Control Piston (Standad VR Control Only)	N02630083	236134501	1	1	1			
14	E	Capacity Control Piston F4M VVR 2.0/4.9	N02630087	236252401	1					
14	E	Capacity Control Piston F4M VVR 2.2/7.0	N02630090	236257601	1					
14	E	Capacity Control Piston F4L VVR 2.0/4.9	N02630085	236252201		1				
14	E	Capacity Control Piston F4L VVR 2.2/7.0	N02630086	236252301		1				
14	E	Capacity Control Piston F4XL VVR 2.0/4.9	N02630088	236254201			1			
14	E	Capacity Control Piston F4XL VVR 2.2/7.0	N02630089	236254301			1			

<b>F4A</b> <b>Issue 2</b> <b>Page 10</b>					<b>HSO4225 / 4226 / 4227 Spare Parts List</b> <b>Open Drive Compressors</b>			Quantity for each compressor		
								Open Drive		
Item	Diagram	Description	Part Number	Old Part Number	4225 (F4AM)	4226 (F4AL)	4227 (F4AXL)			
<b>Capacity Control Slides - STD</b>										
15	D	Slide F4M 2.0 VR	<b>N02860156</b>	236137201	2					
15	D	Slide F4M 2.6 VR	<b>N02860170</b>	236263201	2					
15	D	Slide F4M 3.0 VR	<b>N02860157</b>	236137301	2					
15	D	Slide F4M 3.4 VR	<b>N02860171</b>	236263301	2					
15	D	Slide F4M 4.9 VR	<b>N02860166</b>	236262601	2					
15	D	Slide F4M 7.0 VR	<b>N02860167</b>	236262701	2					
15	D	Slide F4L 2.0 VR	<b>N02860174</b>	332113501		2				
15	D	Slide F4L 2.6 VR	<b>N02860168</b>	236262901		2				
15	D	Slide F4L 3.0 VR	<b>N02860175</b>	332113601		2				
15	D	Slide F4L 3.4 VR	<b>N02860169</b>	236263001		2				
15	D	Slide F4L 4.9 VR	<b>N02860164</b>	236260901		2				
15	D	Slide F4L 7.0 VR	<b>N02860165</b>	236261101		2				
15	D	Slide F4XL 2.0 VR	<b>N02860176</b>	332113701			2			
15	D	Slide F4XL 2.6 VR	<b>N02860172</b>	236263801			2			
15	D	Slide F4XL 3.0 VR	<b>N02860177</b>	332113801			2			
15	D	Slide F4XL 3.4 VR	<b>N02860173</b>	236263901			2			
15	D	Slide F4XL 4.9 VR	<b>N02860162</b>	236260501			2			
15	D	Slide F4XL 7.0 VR	<b>N02860163</b>	236260701			2			
<b>Capacity Control Slides - VVR</b>										
16	E	Top/Bottom Slide F4M VVR 2.0/4.9	<b>N02860178</b>	236257301	2					
16	E	Top/Bottom Slide F4M VVR 2.2/7.0	<b>N02860179</b>	236257401	2					
16	E	Top/Bottom Slide F4L VVR 2.0/4.9	<b>N02860158</b>	236251501		2				
16	E	Top/Bottom Slide F4L VVR 2.2/7.0	<b>N02860159</b>	236251701		2				
16	E	Top/Bottom Slide F4XL VVR 2.0/4.9	<b>N02860160</b>	236253801			2			
16	E	Top/Bottom Slide F4XL VVR 2.2/7.0	<b>N02860161</b>	236254001			2			
<b>Capacity Indicators</b>										
17	D	Capacity Indicator (MSILVDT) (not self setable) - Fitted on STD Only	<b>N05390011</b>	7876-145	1	1	1			



<b>F4A</b> <b>Issue 2</b> <b>Page 11</b>					<b>HSO4225 / 4226 / 4227 Spare Parts List</b> <b>Open Drive Compressors</b>			Quantity for each compressor		
								Open Drive		
Item	Diagram	Description	Part Number	Old Part Number	4225 (F4AM)	4226 (F4AL)	4227 (F4AXL)			
<b>Solenoid Valve - Excludes Coil</b>										
18	F	For STD Capacity Control	N30010431	-	4	4	4			
18	F	For VVR Capacity Control	N30010431	-	3	3	3			
<b>Solenoid Coils -For STD Capacity Control</b>										
19	F	ASCO Coil 115VAC/50-60Hz	N30020034	131066074	4	4	4			
19	F	ASCO Coil 208-240VAC/50-60Hz	N30020047	131066073	4	4	4			
19	F	ASCO Coil 24VAC/50-60Hz	N30020113	131066084	4	4	4			
19	F	ASCO Coil 24VDC	N30020119	131066085	4	4	4			
<b>Solenoid Coils -For VVR Capacity Control</b>										
19	F	ASCO Coil 115VAC/50-60Hz	N30020034	131066074	3	3	3			
19	F	ASCO Coil 208-240VAC/50-60Hz	N30020047	131066073	3	3	3			
19	F	ASCO Coil 24VAC/50-60Hz	N30020113	131066084	3	3	3			
19	F	ASCO Coil 24VDC	N30020119	131066085	3	3	3			
<b>Suction Valve Connections</b>										
20	F	5" Delivery Flange	N13500556	119403264	1	1	1			
21	F	5" NB Terminal	N13050159	119403266	1	1	1			
22	F	5" NB Gasket	N33070140	332115901	1	1	1			
<b>Economiser Flange Connections</b>										
23	F	Economiser Flange	N13500557	236256701	2	2	2			
24	F	Economiser Baffle	N13760013	332114901	2	2	2			
25	F	Gasket	N33070030	88114-311	4	4	4			
26	F	1" SAE Weld Flange c/w o-ring	N13500559	7371-581	2	2	2			
<b>Delivery Valve Connections</b>										
27	G	4" Delivery Flange	N13500558	350245201	2	2	2			
28	G	4" NB Terminal	N13050072	84344-311	1	1	1			
29	G	Blanking Plate	N13500560	236162801	1	1	1			
30	G	4" NB Gasket	N33070146	236127701	2	2	2			
<b>Gasket, O-Ring and Shim Kits</b>										
N/A	N/A	Full Gasket & O-Ring Set	N33010191	-	1	1	1			
N/A	N/A	Full Shim Set	N02260047	-	1	1	1			
<b>Accessories (where fitted)</b>										
N/A	N/A	Discharge Thermostat 100°C	N05060031	95814-502	1	1	1			
N/A	H	5" Stop Valve / Strainer - A Hand	N30150897	236255601	1	1	1			
N/A	H	5" Stop Valve / Strainer - B Hand	N30150898	236255603	1	1	1			

<b>Replacement Parts List</b>
HSO4225/6/7 - Issue 2
Date: January 2020
Replaces Issue 1

**J&E Hall International Limited**  
Hansard Gate, West Meadows  
Derby, DE21 6JN  
Tel: 01332 253400 Fax: 01332 371061  
Email: [Spares@jehall.co.uk](mailto:Spares@jehall.co.uk)  
Web: [www.jehall.com](http://www.jehall.com)

All data printed is believed to be correct at the time of issue and is for guidance only. We accept no liability for